



**ENGINEERED CONTROL SOLUTIONS**

**Precision Governors, LLC**

# Yanmar Engines

## *Model SZ Governing ACTUATOR*

Precision Governor's Model SZ governing actuator uses linear ball bearings to provide low friction governing for all applications requiring precise governing control.

*Custom-designed for use with the following  
Yanmar Series Engines*

**3TNM**



### Features:

- ◆ Custom designed for Yanmar industrial and generator set engine applications.
- ◆ Features ultra low friction linear ball bearings. Precise, smooth governing actuator control at all temperature ranges. At least ten times lower friction than actuators using solid bushings.
- ◆ Fast and easy installation. In most cases mounts directly in place of Run/Stop solenoid.
- ◆ Failsafe operation. Internal spring returns actuator to the minimum fuel/shutdown position in case of power loss.
- ◆ Requires much less current and operates at much cooler temperatures than others.
- ◆ Available in 12 volt & 24 volt versions.
- ◆ Corrosion and moisture resistant.
- ◆ Ideal for gensets Isochronous control with zero droop over the complete load range.

Precision Governors, LLC, 2322 7th Ave. , Rockford, IL 61104

[www.precisiongovernors.com](http://www.precisiongovernors.com)

Contact us at [sales@precisiongovernors.com](mailto:sales@precisiongovernors.com), Phone: 815.229.5300

# Specifications

## ELECTRICAL

Power Input 12 or 24 Volt DC Available  
12 VDC

Coil Resistance 3.6 Ohms

Maximum Continuous Current 2.1 Amps

24 VDC

Coil Resistance 10.2 Ohms

Maximum Continuous Current 1.25 Amps

## Connectors

Standard:

Spade Terminal AMP P/N 2-520102-2 or equivalent  
Mate:  
AMP P/N 2-520184-2 or 3-350820-2 or equivalent

Options:

Deutsch P/N DT04-2P  
Mate:  
P/N DT06-2S

Delphi-Packard P/N 15300027  
Mate:  
P/N 15300002

## MECHANICAL

Dimensions: See drawing for specific model

Stroke: See drawing for specific model

Materials: Corrosion resistant Aluminum and Zinc Plated Steel

Weight: 2.1 lbs

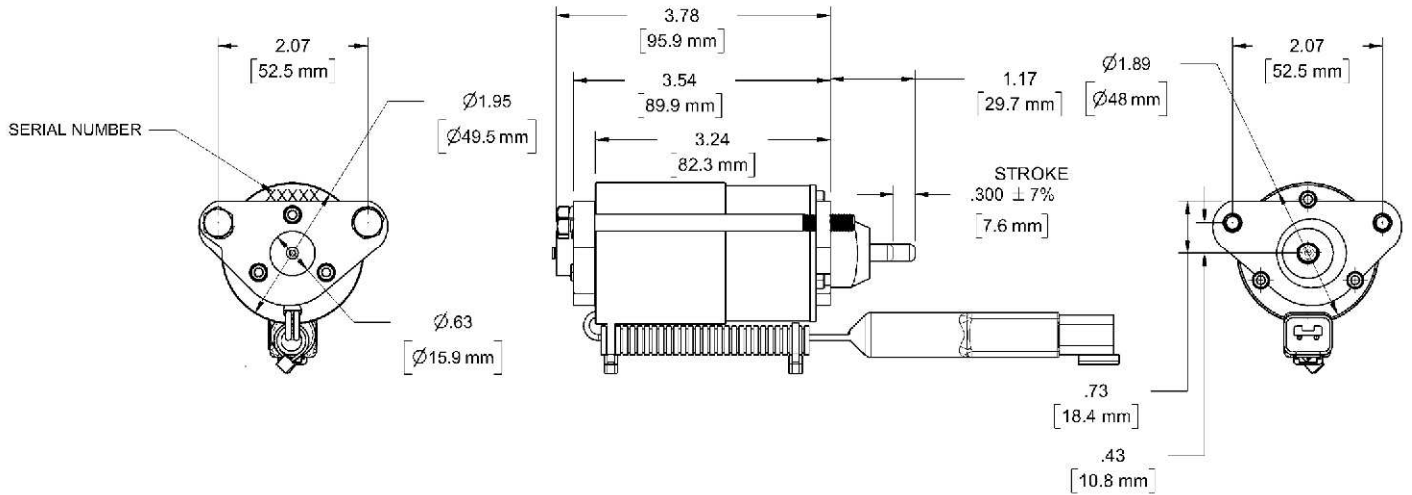
Serial Number: Etched into housing opposite lead wires

## ENVIRONMENTAL

Operating Temperature Range: -40°F to 250°F  
(-40°C to 121°C)

# Yanmar Series Engines

## Model SZ Governing ACTUATOR



3TNM SERIES ACTUATOR

## Ultra Low Friction Linear Ball Bearing Design

***Precision Governor's exclusive use of two low friction linear ball bearings in each governing actuator insures precision, reliable governing performance in the most demanding industrial applications.***



***Ordering: Model SZ Governing Actuators for Yanmar Series Engines***

**Part No.**

**Description**

9547-12  
9547-24

**3TNM Series**  
12 Volt Systems  
24 Volt Systems