



ENGINEERED CONTROL SOLUTIONS

Precision Governors, LLC

MITSUBISHI Engines *Model SZ Governing ACTUATOR*

Precision Governor's Model SZ governing actuator uses linear ball bearings to provide low friction governing for all applications requiring precise governing control.

*Custom-designed for use with the following
Mitsubishi Series Engines*

SL2 Series, 1500/1800 RPM

LE Series

S4Q2 Series

S4S Gen Drive Series

S4S-DT Gen Drive Series

S4S, S4S-DT Variable Speed Series



Features:

- ◆ Custom designed for Mitsubishi industrial and generator set engine applications.
- ◆ Features ultra low friction linear ball bearings. Precise, smooth governing actuator control at all temperature ranges. At least ten times lower friction than actuators using solid bushings.
- ◆ Fast and easy installation. In most cases mounts directly in place of Run/Stop solenoid.
- ◆ Failsafe operation. Internal spring returns actuator to the minimum fuel/shutdown position in case of power loss.
- ◆ Requires much less current and operates at much cooler temperatures than others.
- ◆ Available in 12 volt & 24 volt versions.
- ◆ Corrosion and moisture resistant.
- ◆ Ideal for gensets Isochronous control with zero droop over the complete load range.

Precision Governors, LLC, 2322 7th Ave. , Rockford, IL 61104

www.precisiongovernors.com

Contact us at sales@precisiongovernors.com, Phone: 815.229.5300

Specifications

ELECTRICAL

Power Input 12 or 24 Volt DC Available
12 VDC

Coil Resistance 3.6 Ohms

Maximum Continuous Current 2.1 Amps

24 VDC

Coil Resistance 10.2 Ohms

Maximum Continuous Current 1.25 Amps

Connectors

Standard:

Spade Terminal AMP P/N 2-520102-2 or equivalent
Mate:
AMP P/N 2-520184-2 or 3-350820-2 or equivalent

Options:

Deutsch P/N DT04-2P
Mate:
P/N DT06-2S

Delphi-Packard P/N 15300027
Mate:
P/N 15300002

MECHANICAL

Dimensions: See drawing for specific model

Stroke: See drawing for specific model

Materials: Corrosion resistant Aluminum and Zinc Plated Steel

Weight: 2.1 lbs

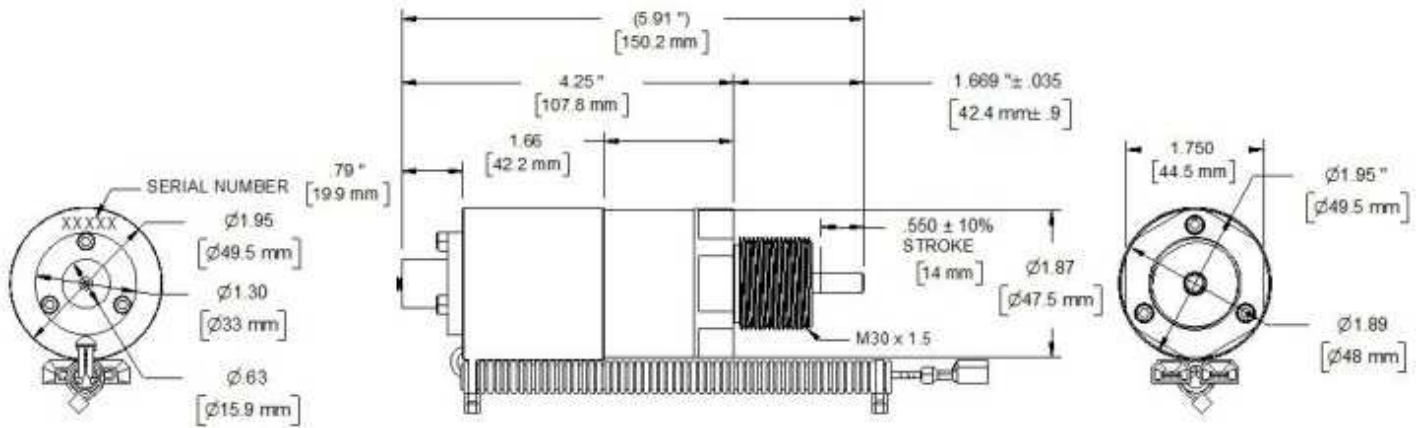
Serial Number: Etched into housing opposite lead wires

ENVIRONMENTAL

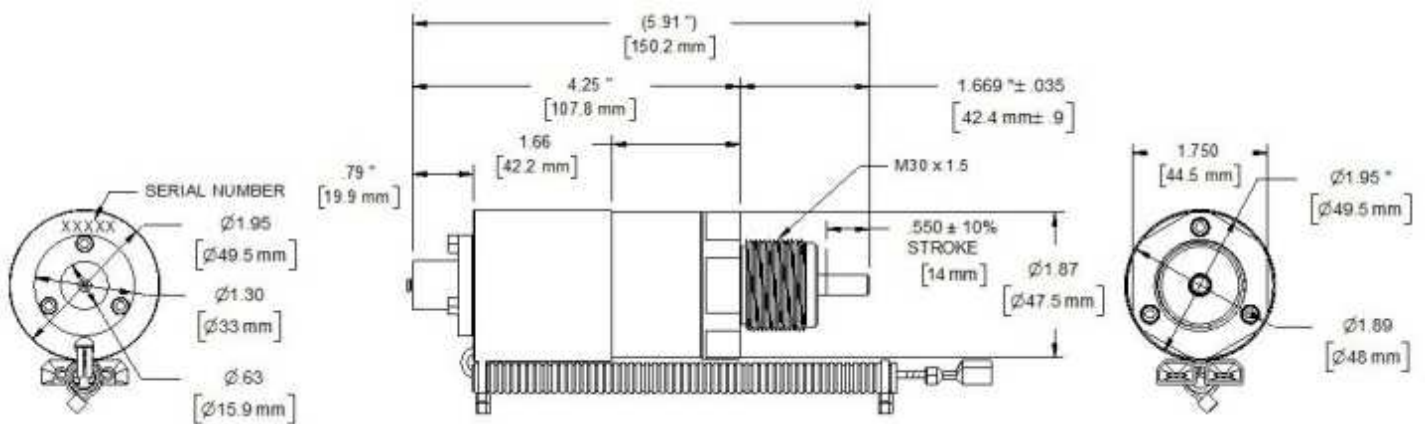
Operating Temperature Range: -40°F to 250°F
(-40°C to 121°C)

Mitsubishi Series Engines

Model SZ Governing ACTUATOR



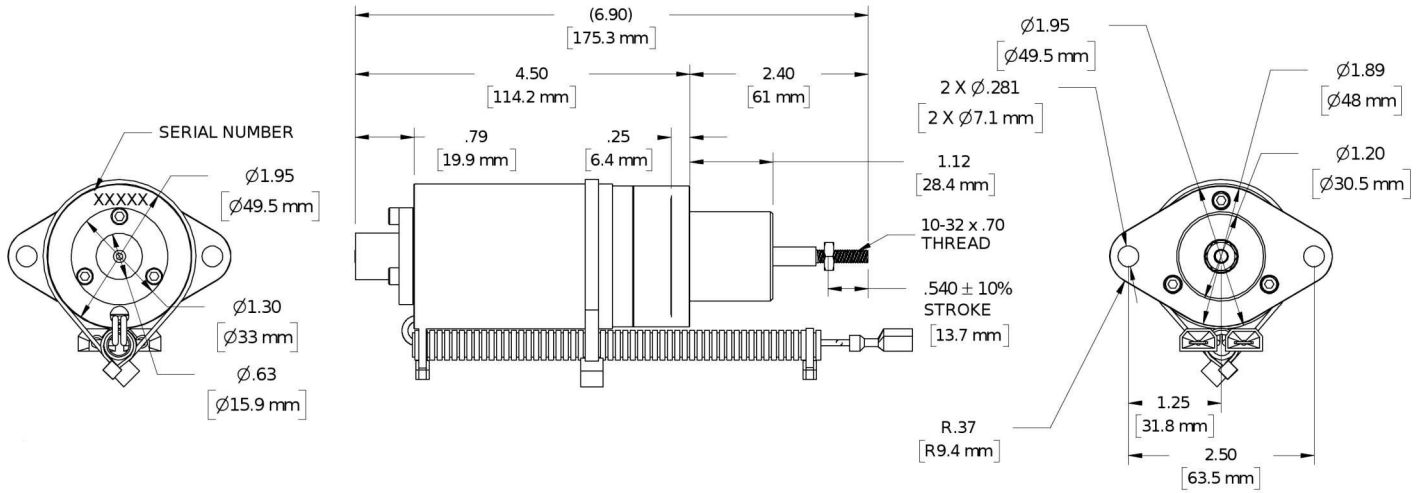
S3L2/S4L2 SERIES ACTUATOR



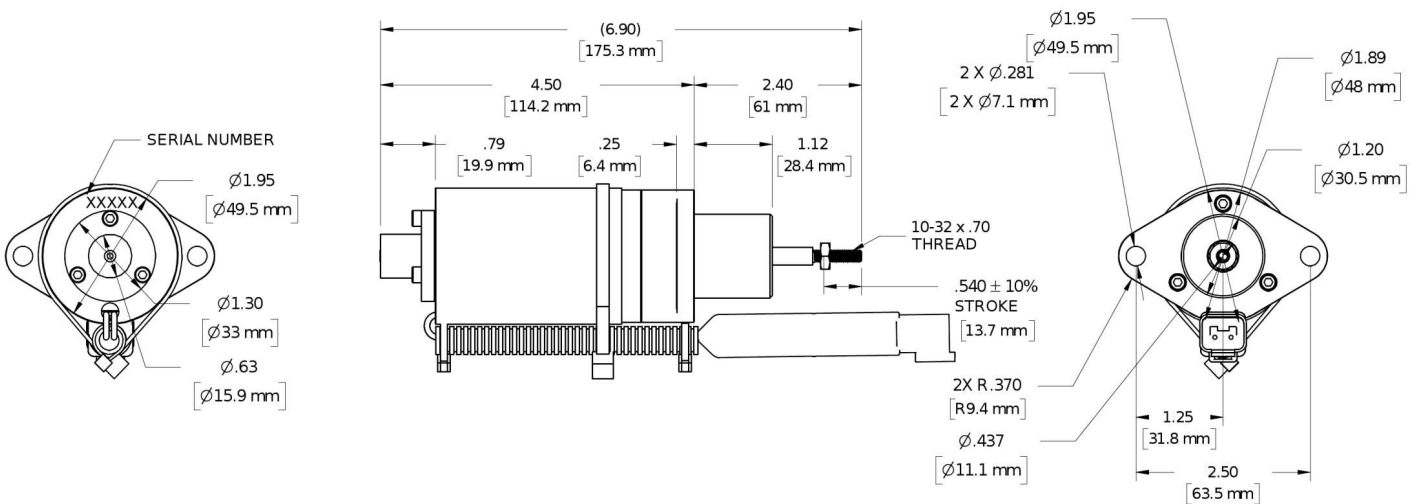
LE SERIES ACTUATOR

Mitsubishi Series Engines

Model SZ Governing ACTUATOR



ACTUATOR
S4Q2, S4S GENERATOR SERIES
S4S-DT GENERATOR SERIES PRE-TIER 4I



ACTUATOR
S4S, S4S-DT INDUSTRIAL SERIES

Ultra Low Friction Linear Ball Bearing Design

Precision Governor's exclusive use of two low friction linear ball bearings in each governing actuator insures precision, reliable governing performance in the most demanding industrial applications.



Ordering: *Model SZ Governing Actuators for Mitsubishi Series Engines*

<u>Part No.</u>	<u>Description</u>
9048-12	<u>2LE, 3LE Series</u>
9048-24	12 Volt Systems
	24 Volt Systems
9516-12	<u>S3L2, S4L2 Series</u>
9516-24	12 Volt Systems
	24 Volt Systems
9485-12	<u>S4Q2, S4S Generator Drive,</u>
9485-24	<u>S4S-DT Pre-Tier 4I Gen Drive, Series</u>
9487	12 Volt Systems
	24 Volt Systems
	Linkage Kit
9529-12	<u>S4S , S4S-DT Industrial Series</u>
9529-24	12 Volt Systems
9491	24 Volt Systems
	Mounting Bracket and Linkage Kit

