

MITSUBISHI LE Engines

Model SJ Governing ACTUATORS

Precision Governor's Model SJ governing actuator uses linear ball bearings to provide low friction governing for all applications requiring precise governing control.

*Custom-designed for use with the following
Mitsubishi LE Series Engines*

LE Series

L2E
L3E



Features:

- ◆ Custom designed for Mitsubishi industrial engine applications.
- ◆ Features ultra low friction linear ball bearings. Precise, smooth governing actuator control at all temperature ranges. At least ten times lower friction than actuators using solid bushings.
- ◆ Fast and easy installation. Mounts directly to fuel rack eliminating linkages, pulleys, or external brackets.
- ◆ Failsafe operation. Internal spring returns actuator to the minimum fuel/shutdown position in case of power loss.
- ◆ Requires much less current and operates at much cooler temperatures than others.
- ◆ Available in 12 volt & 24 volt versions.
- ◆ Corrosion and moisture resistant.
- ◆ Ideal for gensets Isochronous control with zero droop over the complete speed range.

Specifications

ELECTRICAL

Power Input

12 or 24 Volt DC Available

12 VDC

Coil Resistance

4.5 Ohms

Maximum Continuous Current

1.9 Amps

24 VDC

Coil Resistance

15.9 Ohms

Maximum Continuous Current

1.0 Amps

Connectors

Standard:

Spade Terminal

AMP P/N 2-520102-2 or equivalent

Mate:

AMP P/N 2-520184-2 or 3-350820-2 or equivalent

Options:

Deutsch

P/N DT04-2P

Mate:

P/N DT06-2S

Delphi-Packard

P/N 15300027

Mate:

P/N 15300002

MECHANICAL

Dimensions:

See drawing for specific model

Stroke:

See drawing for specific model

Materials:

Corrosion resistant Aluminum and Zinc Plated Steel

Weight:

2.3 lbs

Serial Number:

Etched into housing opposite lead wires

ENVIRONMENTAL

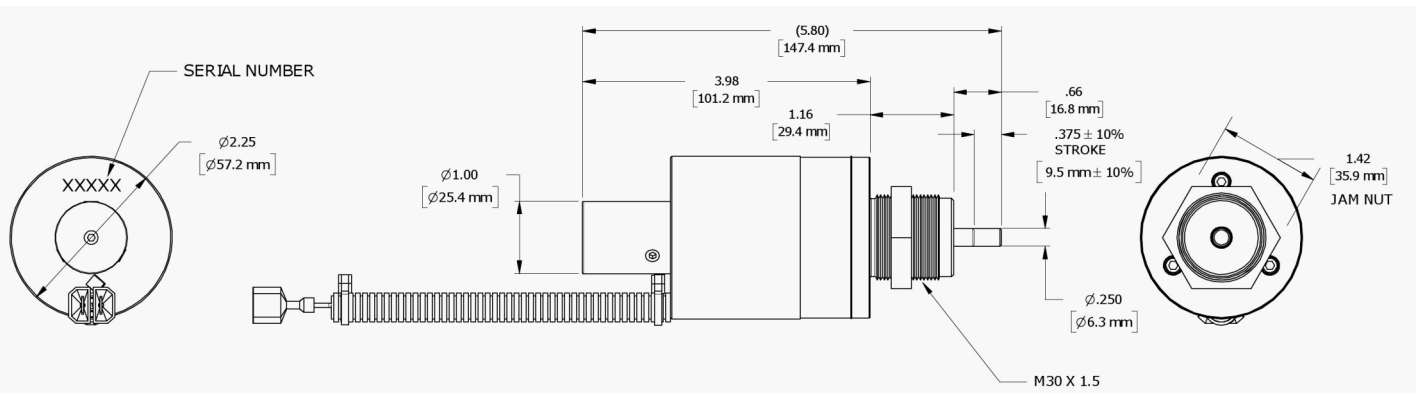
Operating Temperature Range:

-40°F to 250°F

(-40°C to 121°C)

Mitsubishi Series Engines

Model SJ Governing ACTUATOR



LE SERIES ACTUATOR

Ultra Low Friction Linear Ball Bearing Design

Precision Governor's exclusive use of two low friction linear ball bearings in each governing actuator insures precision, reliable governing performance in the most demanding industrial applications.



Ordering: Model SJ Governing Actuators for Mitsubishi Series Engines

<u>Part No.</u>	<u>Description</u>
9246	<u>Series LE</u> 12 Volt Systems
9296	24 Volt Systems